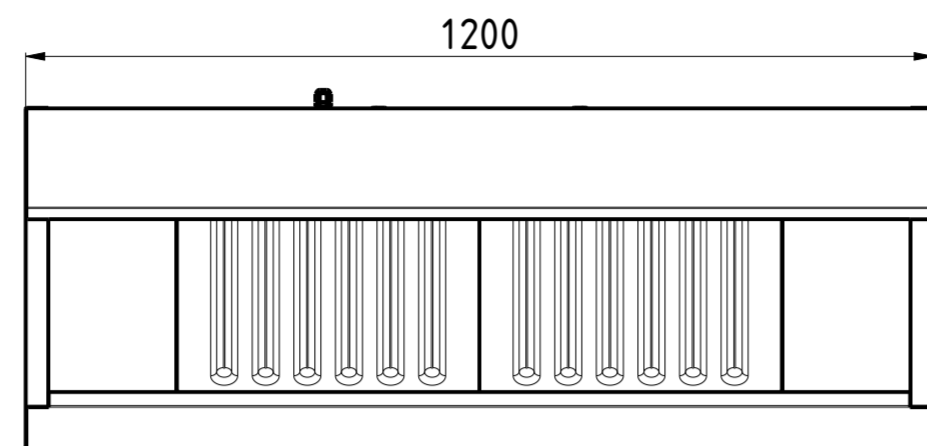
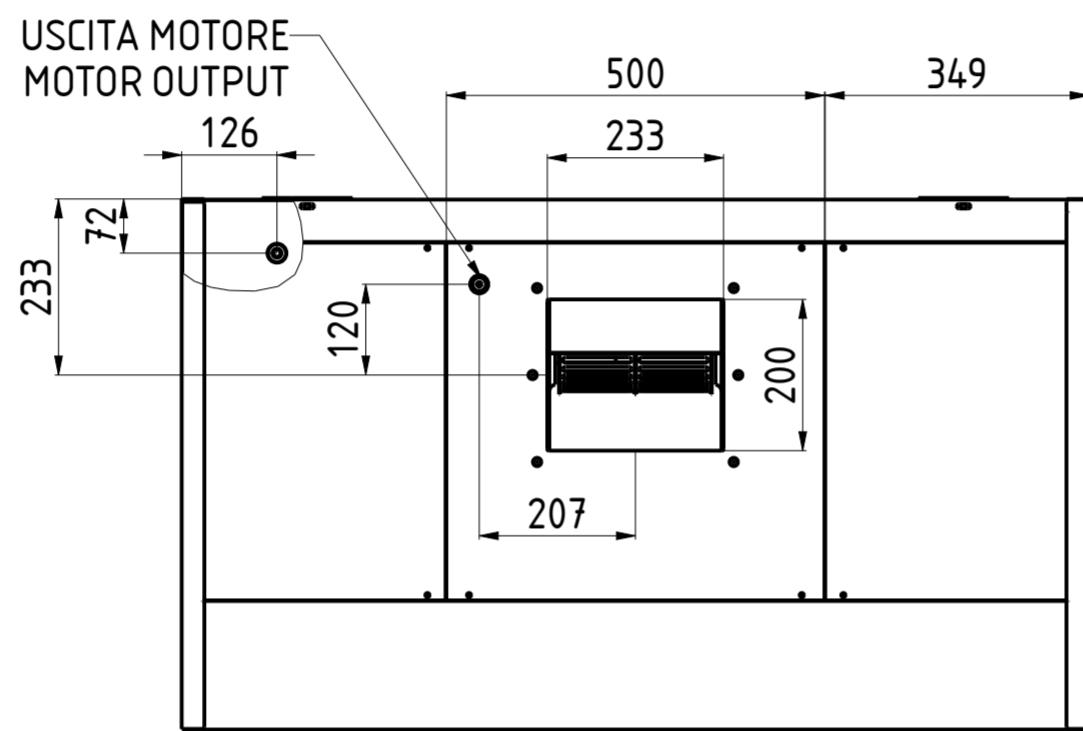


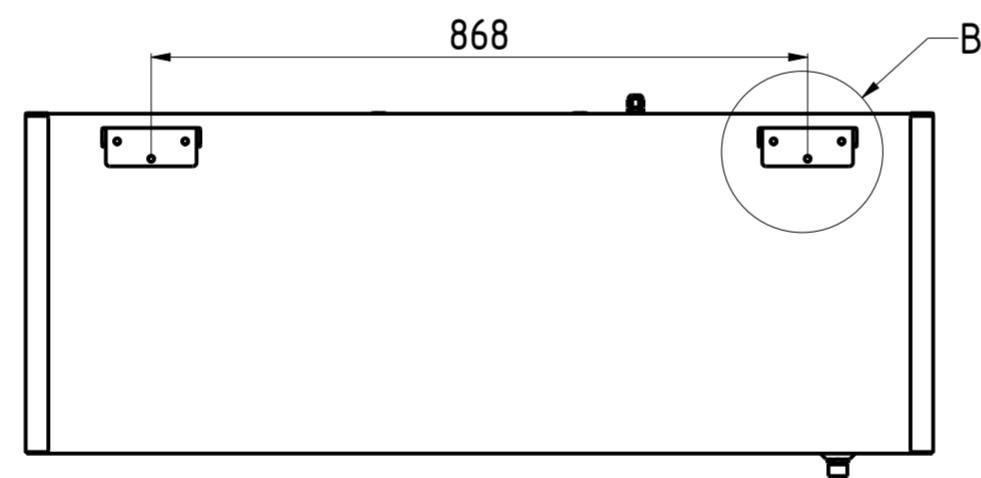
# CHSN07L120M



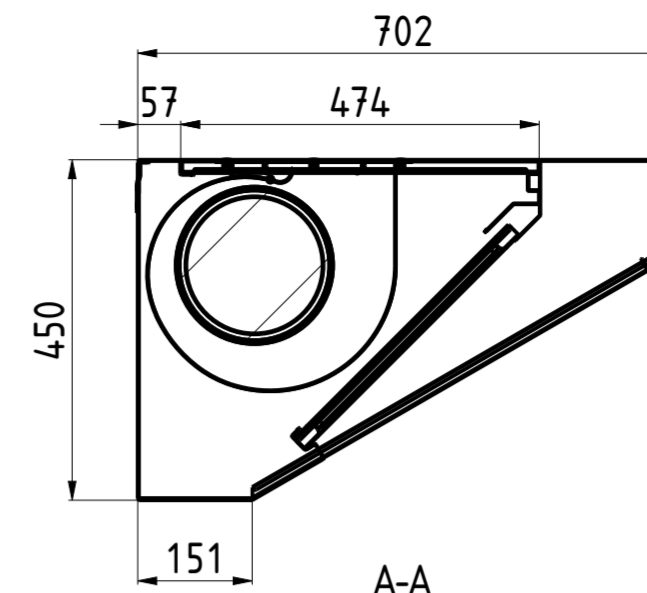
FRONT VIEW 1:10  
SCARICO DRAIN



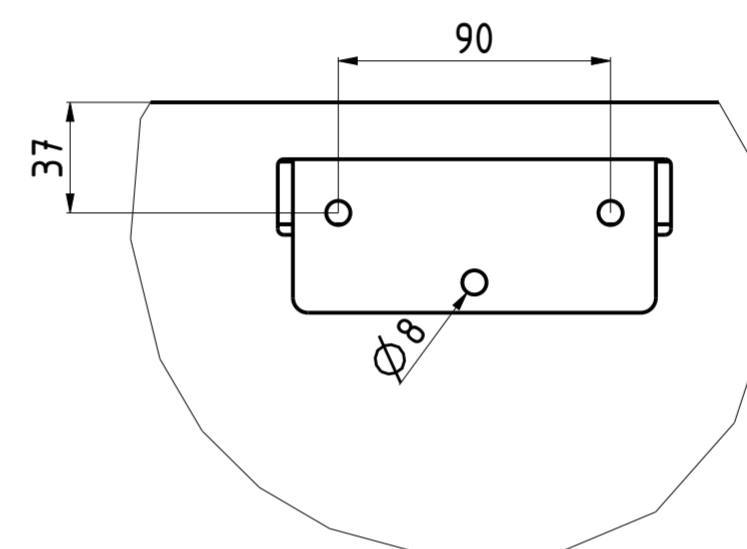
B-B



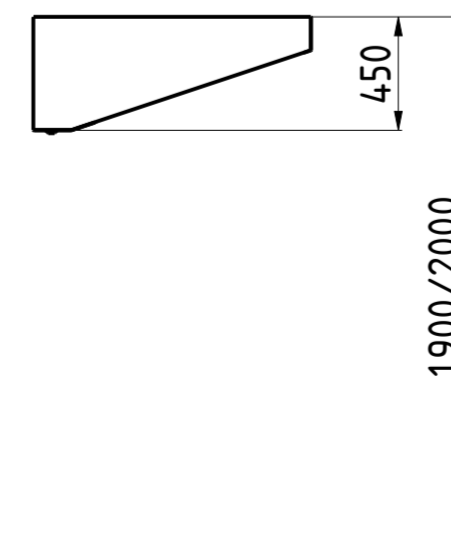
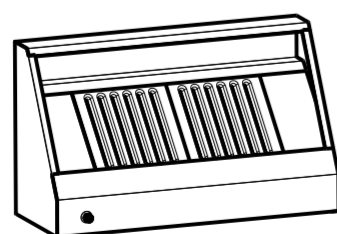
BACK VIEW 1:10



A-A



B(2:5)



NR. LUCI NR. LIGHTS	PORTATA FLOW RATE	HST mmH <sub>2</sub> O	WATT	SDR	PESO (Kg) WEIGHT (Kg)
—	1050	24	147	7/7	53

DATA DATE	MODIF. N. MODIF. NO.	DESCRIZIONE MODIFICHE MODIFICATION DESCRIPTION	DISEGNATO DRAWN BY	APPROVATO APPROVED
MODELLO CAPPA SNACK CON MOTORE 7/12 MODEL SNACK HOOD WITH MOTOR 7/12				SCALA SCALE -
PARTICOLARE SCHEDA TECNICA DETAIL DATA SHEET				DATA DATE -
MATERIALE MATERIAL AISI 304 - AISI 430	SPES. THICK. -			SHEET 2 OF 3
FINITURA FINISH	PEZZI N. PIECES NO.			ULTIMA EMISS. LAST EDITION
TRATTAMENTO TREATMENT	COLORE COLOUR			
			mm	

ELABORATO CON SISTEMA CAD  
DESIGNED BY CAD/STEM  
 QUOTA PRIMARIA  
PRIMARY DIMENSION  
 XX  
 ANGOLI  
Angles  
 ±0.30°  
 >500  
±0.75  
 400-500  
±0.65  
 315-400  
±0.60  
 250-315  
±0.55  
 180-250  
±0.50  
 120-180  
±0.45  
 80-120  
±0.40  
 50-80  
±0.35  
 30-50  
±0.30  
 18-30  
±0.25  
 10-18  
±0.20  
 5-10  
±0.15  
 0-5  
±0.10  
 LUNGH. E DIAM.  
LENGTH AND DIAM.  
 TOLLERANCE UNLESS OTHERWISE STATED  
 QUOTE SENZA TOLLERANZA  
 FORM.A-2